

**B-M10TTR-V**ROBUST DESIGN  
HIGH QUALITY STAINLESS STEEL**ELECTRIC COMBI OVEN  
MISTRAL 10TTR VISION**

Automatic preheating & delayed start programming

Multi-timer function for multiple & mixed cooking

Fan inversion, speed control and motor break

5 Fan speeds and semi-static cooking

Temperature up to 270°C / 520°F

Pre-loaded & online cookbook + USB

Custom preset programs mode

5 Cooking modes

Accommodates 18" x 26" bunpans and smaller

BakeDRY automatic chimney opening

BakeSTEAM steam control in percentages

BakeCLEAN automatic washing system



**Dimensions (wxdxh)** 39<sup>3/8</sup>" x 35<sup>3/8</sup>" x 45"

**Oven interior (wxd)** 18" x 26"

**Rack Guides** 10

# B-M10TTR-V

## DELIVERY

### Box dimensions (w×d×h)

44<sup>7/8</sup>" x 48" x 54"

### Weight

net: 452 lbs

ship: 547 lbs

## Power 20 KW

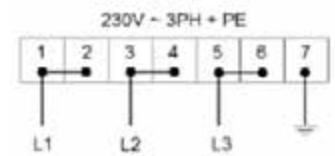
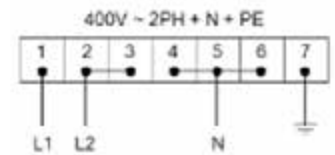
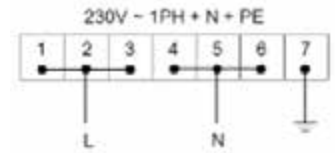
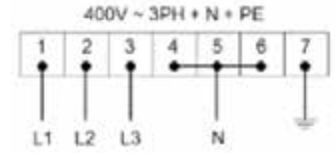
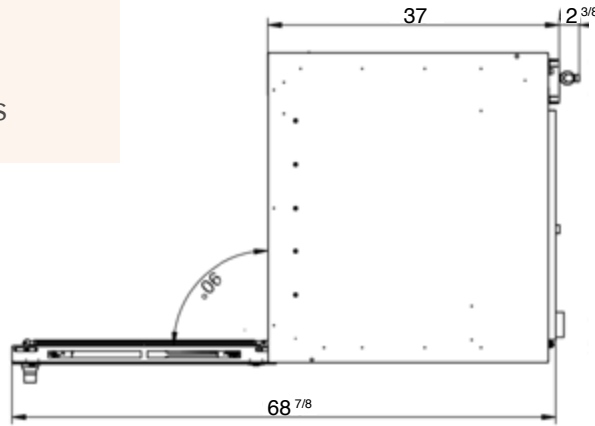
208V / 1PH - 77.6 AMP

208V / 3PH - 44.8 AMP

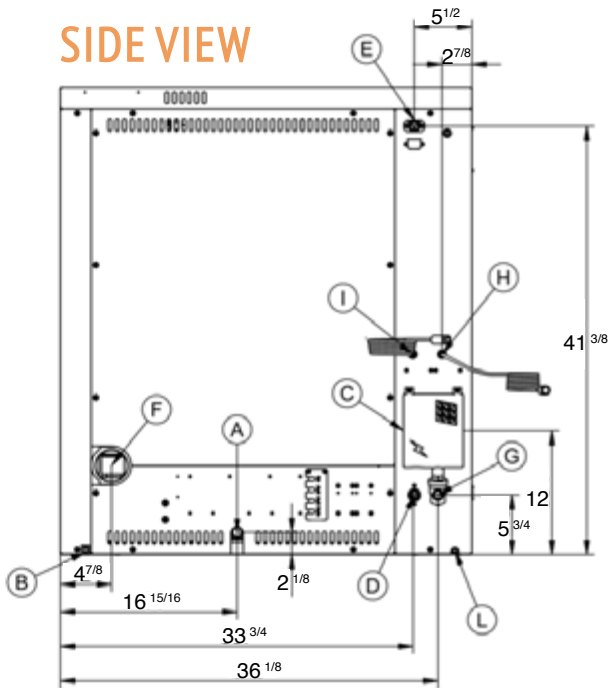
240V / 1PH - 81.6 AMP

240V / 3PH - 47.1 AMP

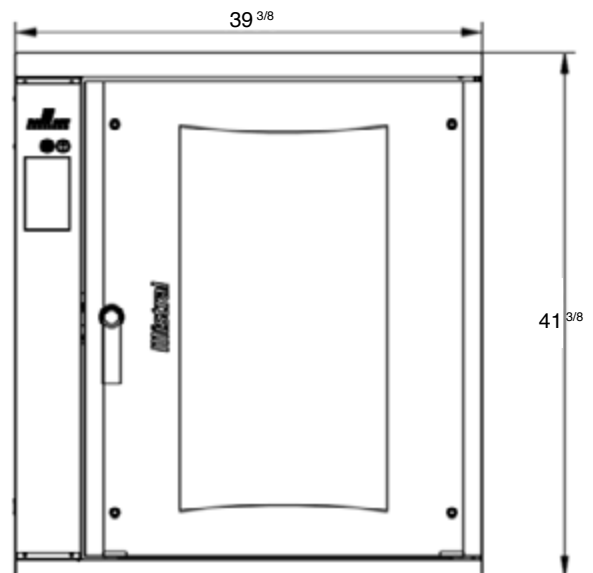
## TOP VIEW



## SIDE VIEW



## FRONT VIEW



### ASSEMBLY/SUPPORT



### MORE PRODUCTS



## SAFETY

Keep combustibles a minimum of 12" away from the equipment. Keep a clearance of 4" at the rear.

 We're on social media! 