

NBB-72-SG-N

GLASS DOOR NARROW BACK BAR

NEW AIR



FEATURES

Carel™ digital temperature controller

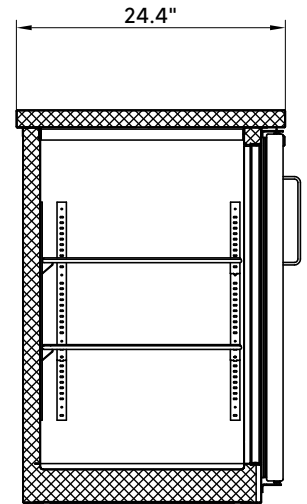
Self-closing doors with lock

6 shelves included

LED interior lighting

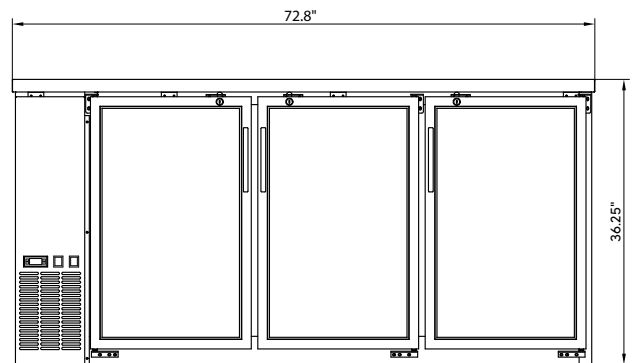
Stainless steel top

Casters optional



SPECIFICATIONS

Capacity (Cu. ft)	19.6
Capacity (L)	555
Exterior Dimensions (in)	72 3/4" x 24 1/2" x 36 1/4"
Interior Dimensions (in)	60" x 18 3/4" x 30"
Shelf Dimensions (in)	19 3/4" x 18" + 19 1/2" x 18"
Net/Gross weight (lbs)	310/330
Door(s)	Glass
Temp. Range	0 TO 5°C
Refrigerant (CFC-Free)	R290
Amperage (A)	4.0
Voltage (V)	115V/60Hz
Plug Type	NEMA 5-15P



NEWAIRREFRIGERATION.CA 2025

NEW AIR

CUSTOMER SUPPORT



1-800-567-3620

NEWAIRREFRIGERATION.CA



*Design and specifications may change without prior notice for product improvement