

NCR-20-H

COUNTERTOP

DISPLAY REFRIGERATOR

Ideal for convenience stores, grocery stores and cafés



FEATURES

Tempered glass door with lock

Manual defrost

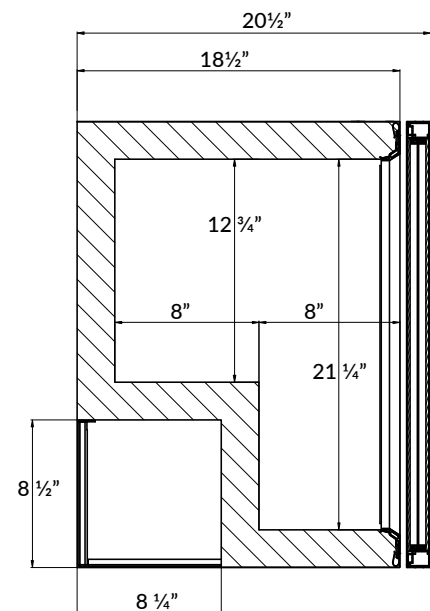
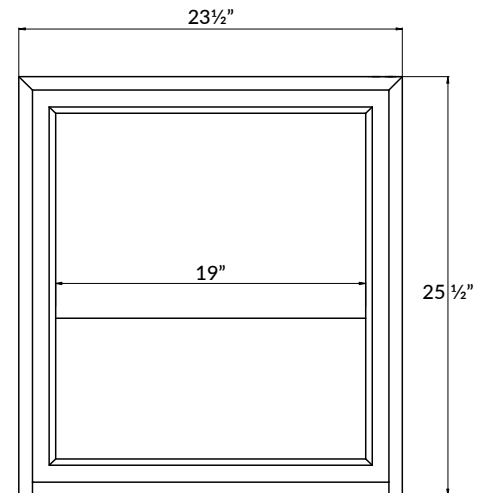
LED interior lighting

Aluminum interior

Adjustable PVC shelves

SPECIFICATIONS

Capacity (Cu. ft)	3.0
Capacity (Liters)	88 L
Exterior Dimensions (in)	23 1/2" x 20 1/2" x 26 3/4"
Interior Dimensions (in)	19" x 15 1/2" x 21"
Package Dimensions (in)	25" x 22" x 28"
Net/Gross Weight (lbs)	84 lbs / 93 lbs
Nbr of Shelves	3
Door(s)	1, hinged
Temperature Range (°C)	0°C TO 10°C
Ambiant Temperature	≤ 30°C
Ambiant Humidity	≤ 55%
Refrigerant (CFC-Free)	R290
Amperage (A)	2.8 A
Voltage (V)	110 - 120 V / 60Hz
Plug Type	NEMA 5-15P



*Design and specifications may change without prior notice for product improvement

CUSTOMER SUPPORT



1-800-567-3620



NEWAIRREFRIGERATION.CA

