

B-M5T-V**ROBUST DESIGN
HIGH QUALITY STAINLESS STEEL**

ELECTRIC COMBI OVEN MISTRAL 5T VISION



Automatic preheating & delayed start programming

Multi-timer function for multiple & mixed cooking

Fan inversion, speed control and motor break

5 Fan speeds and semi-static cooking

Temperature up to 270°C / 520°F

Pre-loaded & online cookbook + USB

Custom preset programs mode

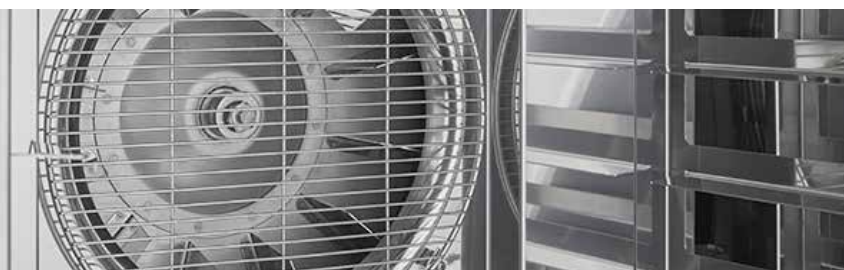
5 Cooking modes

Accommodates 18" x 26" bunpans and smaller

BakeDRY automatic chimney opening

BakeSTEAM steam control in percentages

BakeCLEAN automatic washing system



Dimensions (wxdxh) 31^{1/2}" x 51^{1/8}" x 26^{3/8}"

Oven interior (wxd) 18" x 26"

Rack Guides 5

B-M5T-V

Power 9 KW

208V / 1PH - 77.6 AMP
 208V / 3PH - 44.8 AMP
 240V / 1PH - 81.6 AMP
 240V / 3PH - 47.1 AMP

DELIVERY

Box dimensions (wxdxh)

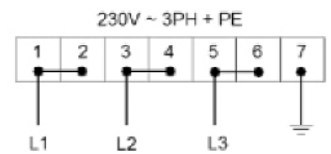
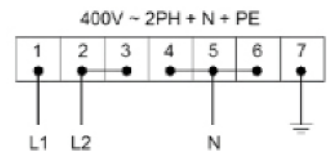
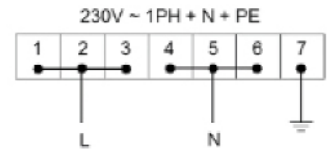
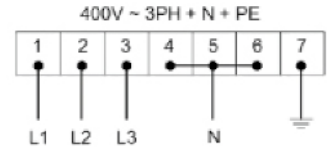
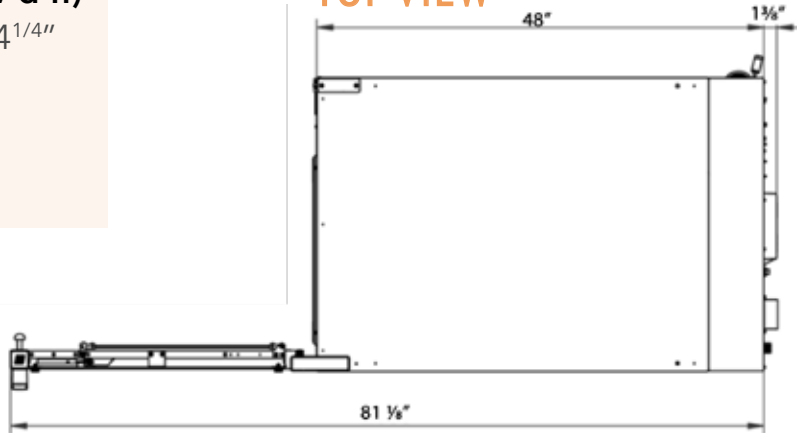
35¹/₂" x 60¹/₄" x 34¹/₄"

Weight

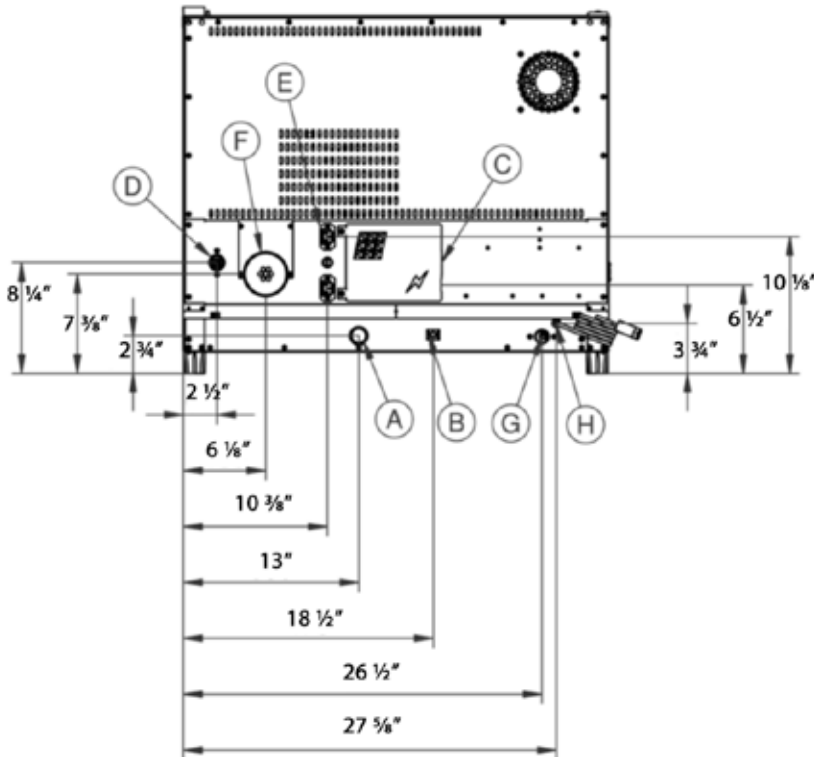
net: 205 lbs

ship: 293 lbs

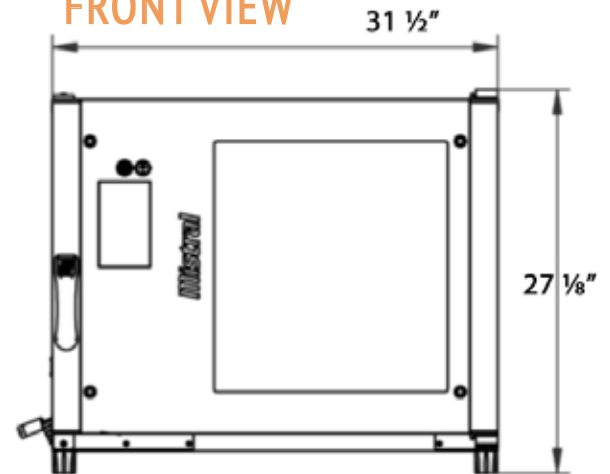
TOP VIEW



BACK VIEW



FRONT VIEW



ASSEMBLY/SUPPORT



MORE PRODUCTS



SAFETY

Keep combustibles a minimum of 12" away from the equipment. Keep a clearance of 4" at the rear.

 We're on social media! 