

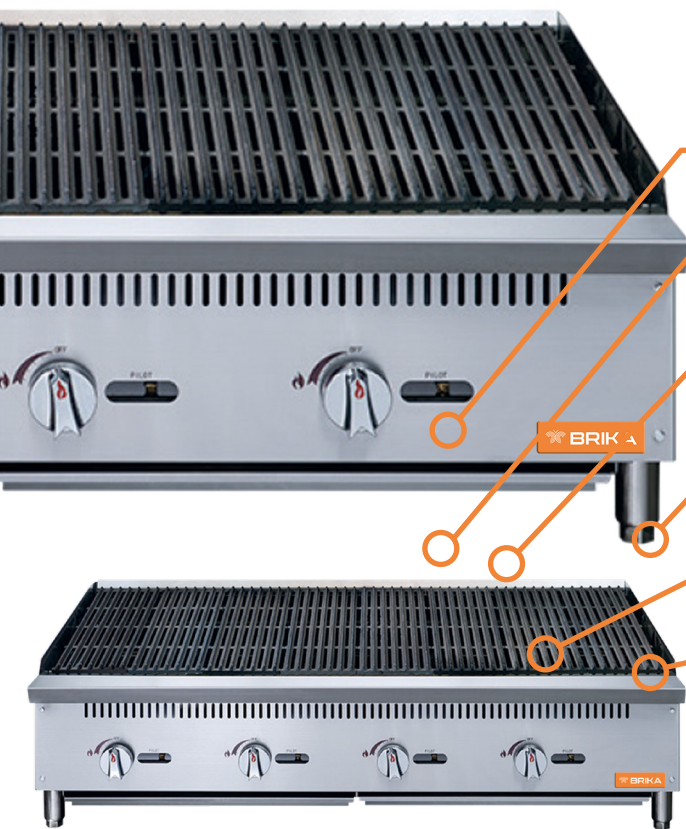


BRIKA

BCB-48

ROBUST DESIGN
HIGH QUALITY STAINLESS STEEL

CHARBROILER 48 INCHES



35,000 BTU burners per 12" section

"Cool-to-the-touch" front stainless steel edge

Independent manual controls every 12"

Stainless Steel Standing pilot for instant ignition

Stainless steel exterior and interior

Easy to remove full-width crumb tray

Adjustable, stainless steel legs



Dimensions (wxdxh) 48" x 28^{3/4}" x 15^{3/8}"

Cooking Area (wxd) 48" x 20^{1/2}"

Burners 4 x 35,000 BTU/H (total 140K)

BCB-48

DELIVERY

Box dimensions (w×d×h)

50^{1/4}" x 32^{5/8}" x 20^{1/2}"

Weight

net: 230 lbs

ship: 269 lbs

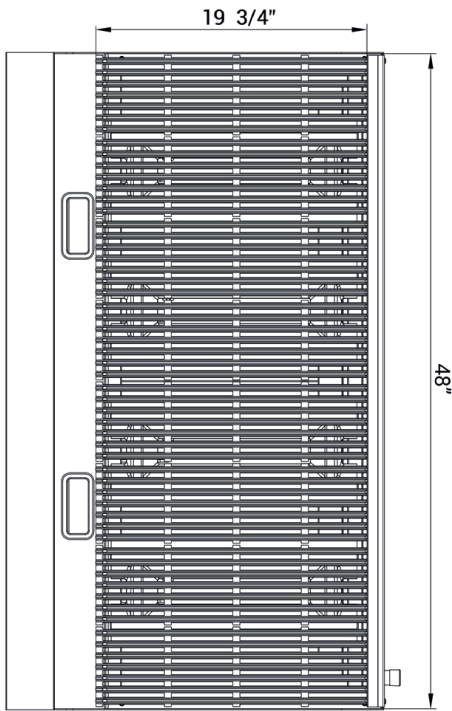
GAS POWERED

Natural	Source	Propane
4"WC	Pressure	10"WC
34#	Nozzle	49#

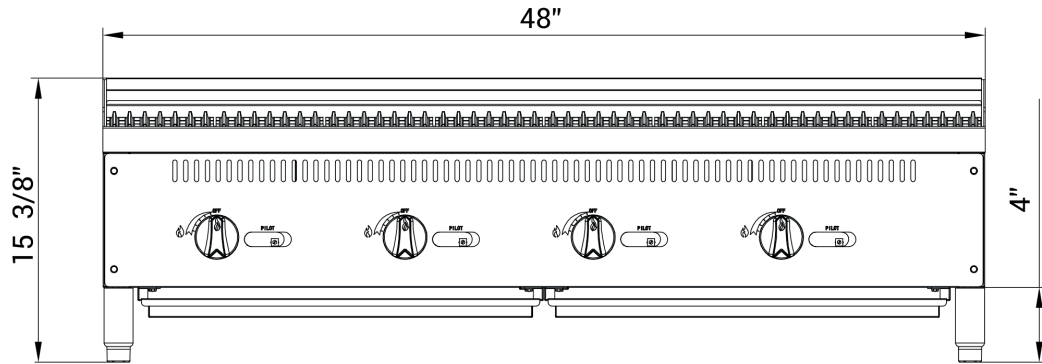
3/4" NPT **Connection** 3/4" NPT

if to be used above 2000 ft, specify altitude and gas type when ordering

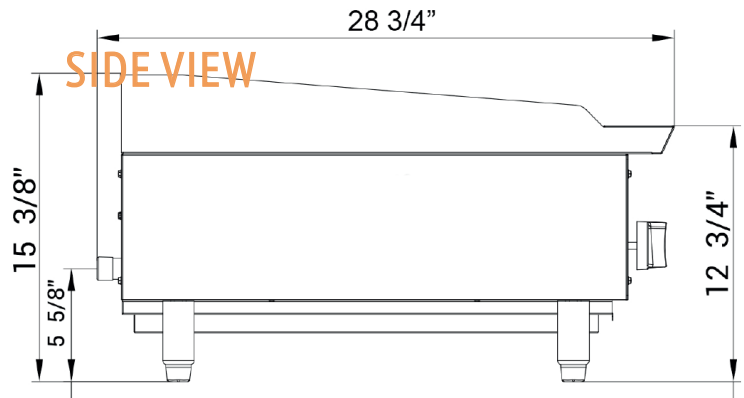
FRONT VIEW



TOP VIEW



SIDE VIEW



ASSEMBLY/SUPPORT



MORE PRODUCTS



SAFETY

Keep combustibles a minimum of 17" away from the equipment. Keep a clearance of 4" at the rear.

 We're on social media! 