



BRIKA

BHP-122

HOT PLATE 2 BURNERS

ROBUST DESIGN
HIGH QUALITY STAINLESS STEEL



Heavy-duty lift-off cast iron burners

"Cool-to-the-touch" front stainless steel edge

SS standby pilot for instant ignition

Manual controls for each burner

Stainless steel exterior and interior

Full length seamless drip pan, easy to remove & clean

Adjustable stainless steel legs



Dimensions (wxdxh) 12" x 28^{3/4}" x 13^{3/8}"

Cooking Area (wxd) 12" x 24"

Burners 2 x 28,000 BTU/H (total 56K)

BHP-122

DELIVERY

Box dimensions (wxdxh)

14^{1/8"} x 32^{5/8"} x 17^{3/4"}

Weight

net: 66 lbs

ship: 88 lbs

GAS POWERED

Natural **Source** Propane

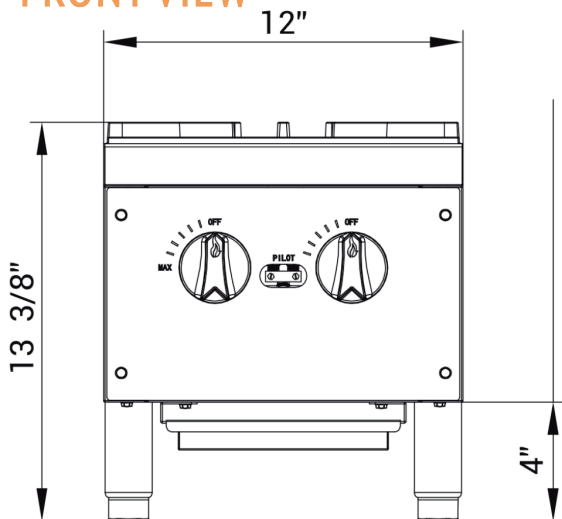
4"WC **Pressure** 10"WC

40# **Nozzle** 52#

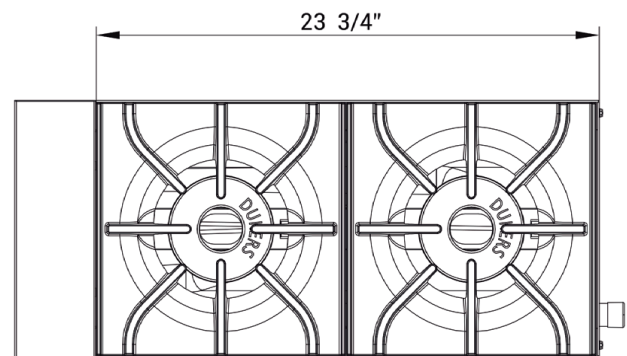
3/4" NPT **Connection** 3/4" NPT

if to be used above 2000 ft, specify altitude and gas type when ordering

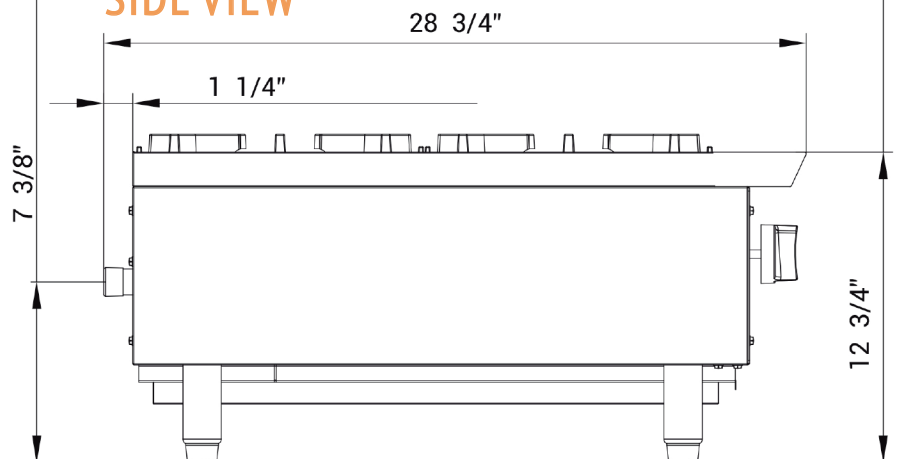
FRONT VIEW



TOP VIEW



SIDE VIEW



ASSEMBLY/SUPPORT



MORE PRODUCTS



SAFETY

Keep combustibles a minimum of 17" away from the equipment. Keep a clearance of 4" at the rear.

 We're on social media! 