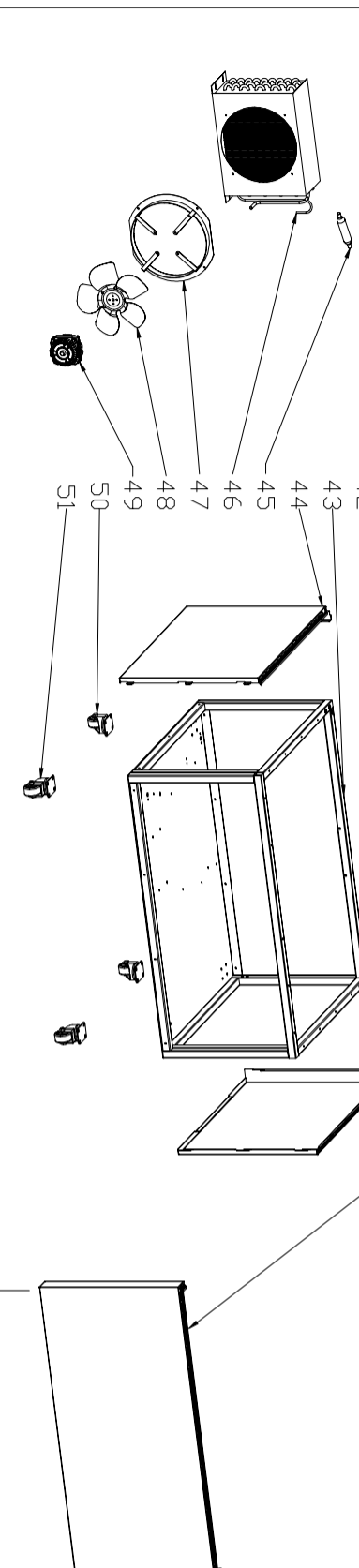
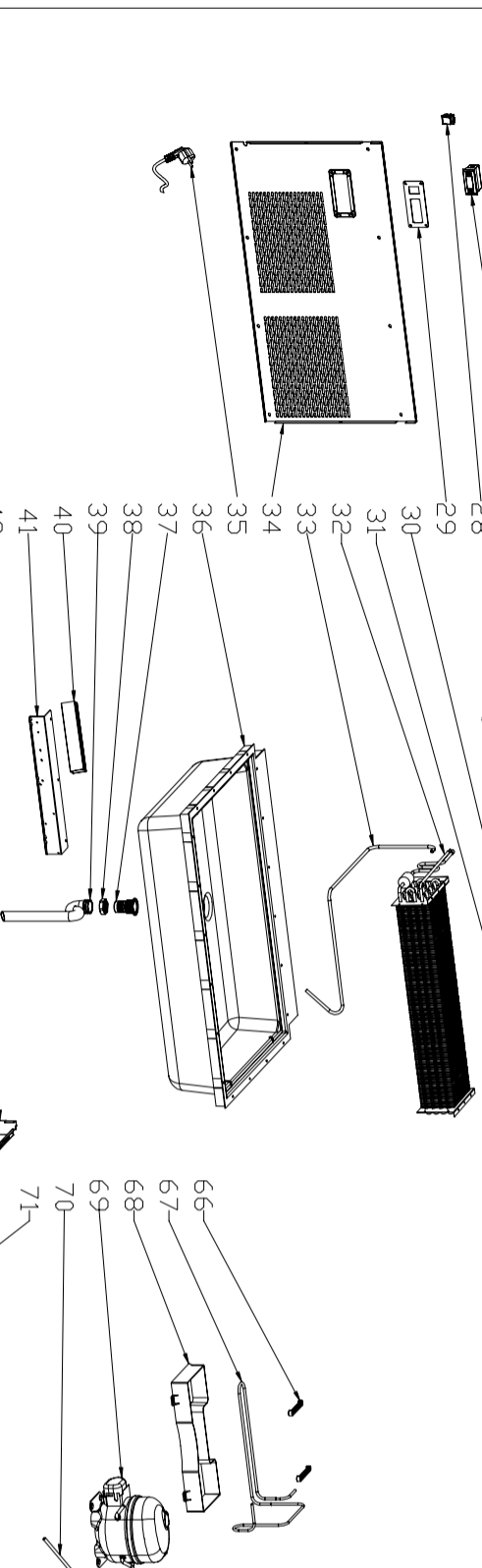
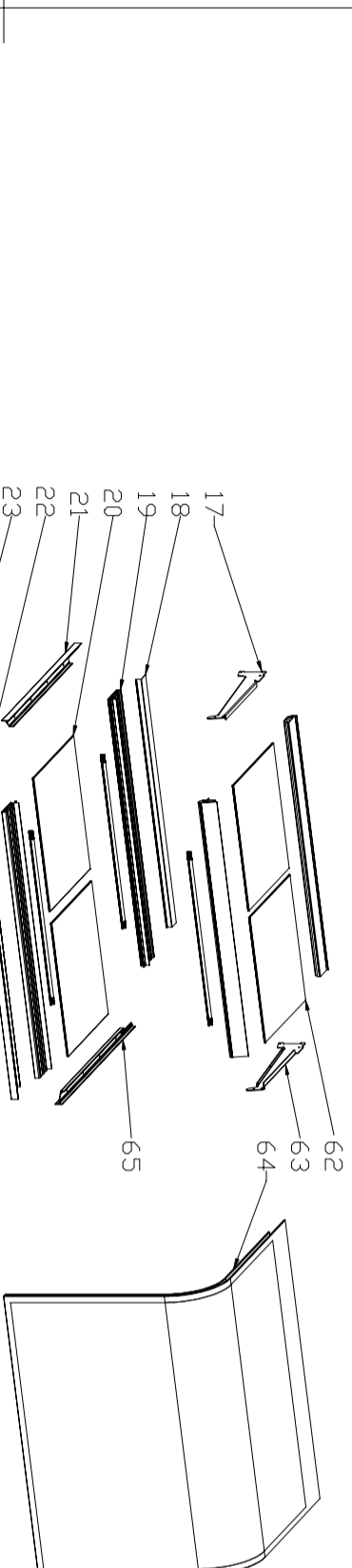
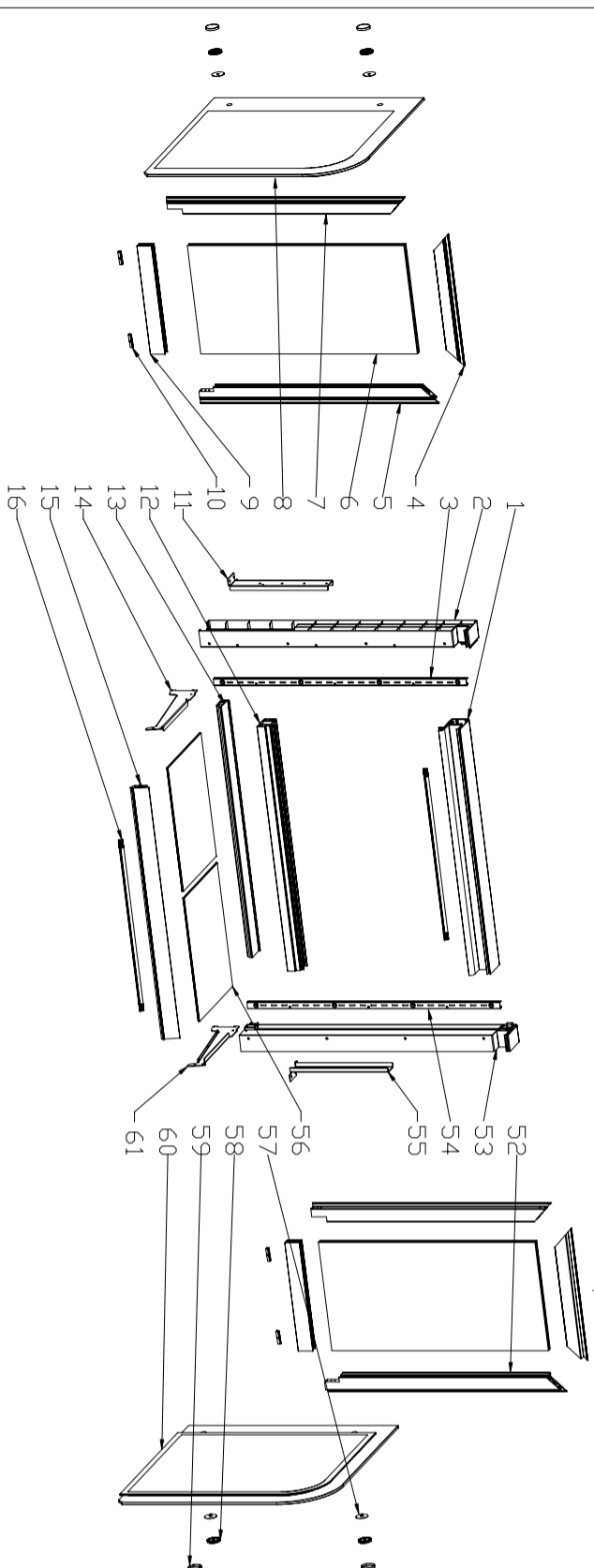


CW-270R 110V/60Hz R290



No.	Part code	Description	Qty	Unit price
1	B.3.CW.270R.120	upper beam	1	\$2.27
2	B.3.CW.270R.060	left pillar	1	\$1.98
3	B.2.CW.270R.240	left shelfholder	1	\$1.02
4	B.3.CW.270R.140	upper door frame	2	\$0.46
5	B.3.CW.270R.160	side door frame	2	\$0.65
6	B.7.CW.270R.070	door glass	2	\$4.67
7	B.3.CW.270R.170	left handle frame	1	\$0.72
8	B.7.CW.270R.010	left glass	1	\$32.67
9	B.3.CW.270R.150	lower door frame	2	\$0.42
10	B.2.CW.270R.020	pulley	4	\$0.19
11	B.2.CW.270R.040	fix plate for left pillar	1	\$0.69
12	B.3.CW.270R.130	lower beam	1	\$2.02
13	B.2.CW.270R.230	shelf rear beam	2	\$2.98
14	B.2.CW.270R.150	left board of upper shelf	1	\$1.44
15	B.2.CW.270R.220	price tag	2	\$2.91
16	B.5.16.036	LED	5	\$2.87
17	B.2.CW.270R.130	left board of lower shelf	1	\$1.66
18	B.2.CW.270R.070	decorating plate of air suction	1	\$0.92
19	B.2.CW.270R.260(A1)	air suction	2	\$2.87
20	B.7.CW.270R.040	ventilation plate glass	2	\$3.73
21	B.3.CW.270R.100	groove for left glass	1	\$0.23
22	B.3.CW.270R.090	groove for front glass	1	\$0.33
23	B.5.02.056	evaporator motor	1	\$15.63
24	B.2.CW.270R.080	top cover of air vent	1	\$1.87
25	B.2.CW.270R.090	left cover of air vent	1	\$0.14
26	B.2.CW.270R.110	left plate of air outlet	1	\$0.12
27	B.5.03.009	digital control	1	\$12.37
28	B.5.07.002	switch	1	\$0.58
29	B.2.CW.270R.170	control panel	1	\$0.60
30	B.2.CW.270R.100	right cover of air vent	1	\$0.14
31	B.2.CW.270R.120	right plate of air outlet	1	\$0.12
32	B.4.CW.270R.020	evaporator	1	\$31.73
33	B.4.CW.270R.050	muffler	1	\$2.58
34	B.2.CW.270R.180	back grill	1	\$8.28
35	B.5.06.026	power line	1	\$1.95
36	B.1.CW.270R.010	foaming components	1	\$4.40
37	B.3.CW.270R.040	scupper	1	\$0.06
38	B.3.CW.270R.050	screw	1	\$0.02
39	B.3.CW.270R.080	drainage	1	\$0.76
40	B.3.CI.218.050	PVC trunking	1	\$0.13
41	B.2.CW.270R.060	fix plate for trunking	1	\$0.49
42	B.2.CW.270R.320	right grill	1	\$6.85
43	B.2.CW.270R.030	base components	1	\$23.41
44	B.2.CW.270R.310	left grill	1	\$6.85
45	B.9.05.002	dry-filter	1	\$39.90
46	B.4.CW.270R.010	condenser	1	\$2.33
47	B.5.02.012	flange	1	\$1.05
48	B.5.02.011	fan	1	\$12.83
49	B.5.02.014	motor	1	\$1.59
50	B.9.03.002	casters	2	\$1.35
51	B.9.03.001	casters	2	\$0.72
52	B.3.CW.270R.180	right handle frame	1	\$1.98
53	B.3.CW.270R.070	right pillar	1	\$1.02
54	B.2.CW.270R.250	right shelfholder	1	\$0.69
55	B.2.CW.270R.050	fix plate for right pillar	1	\$2.33
56	B.7.CW.271.060	upper shelf glass	2	\$0.01
57	B.3.CW.270R.020	screw gasket	4	\$0.02
58	B.3.CW.270R.010	screw	4	\$0.01
59	B.2.CW.270R.010	screw cover	4	\$0.01
60	B.7.CW.270R.020	right glass	1	\$32.67
61	B.2.CW.270R.160	right board of upper shelf	1	\$1.44
62	B.7.CW.271.070	lower shelf glass	2	\$2.80
63	B.2.CW.270R.140	right board of lower shelf	1	\$1.66
64	B.7.CW.270R.030	curved glass	1	\$108.50
65	B.3.CW.270R.110	right glass groove	1	\$0.23
66	B.3.CW.270R.030	fix plate	2	\$0.01
67	B.4.CW.270R.040	high-pressure pipe	1	\$2.66
68	B.3.CI.238.160	water tray	1	\$0.44
69	B.5.01.004	compressor	1	\$92.17
70	B.4.CI.58.060	charging pipe	1	\$0.26
71	B.2.CW.270R.300	front grill	1	\$10.68