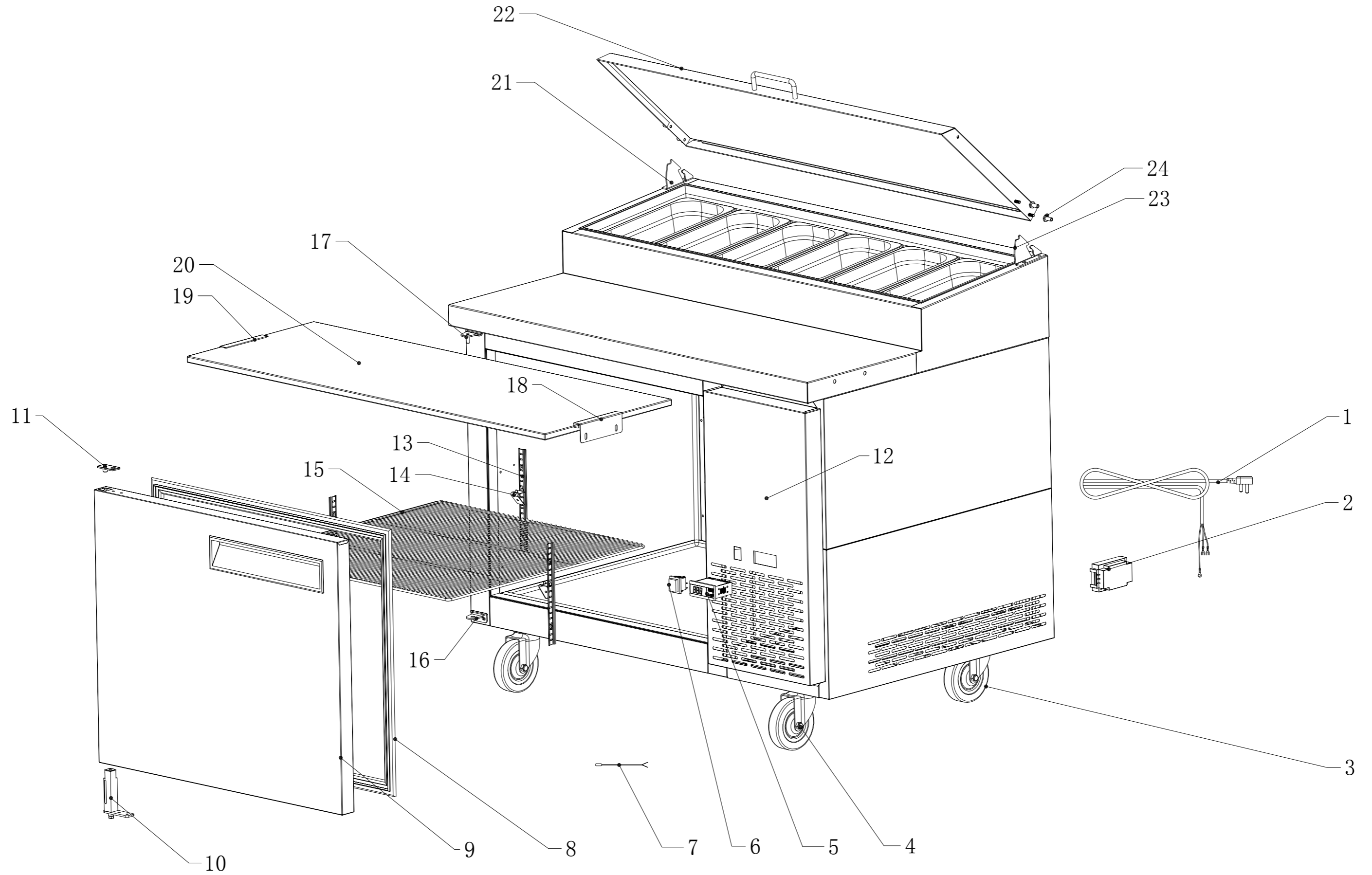
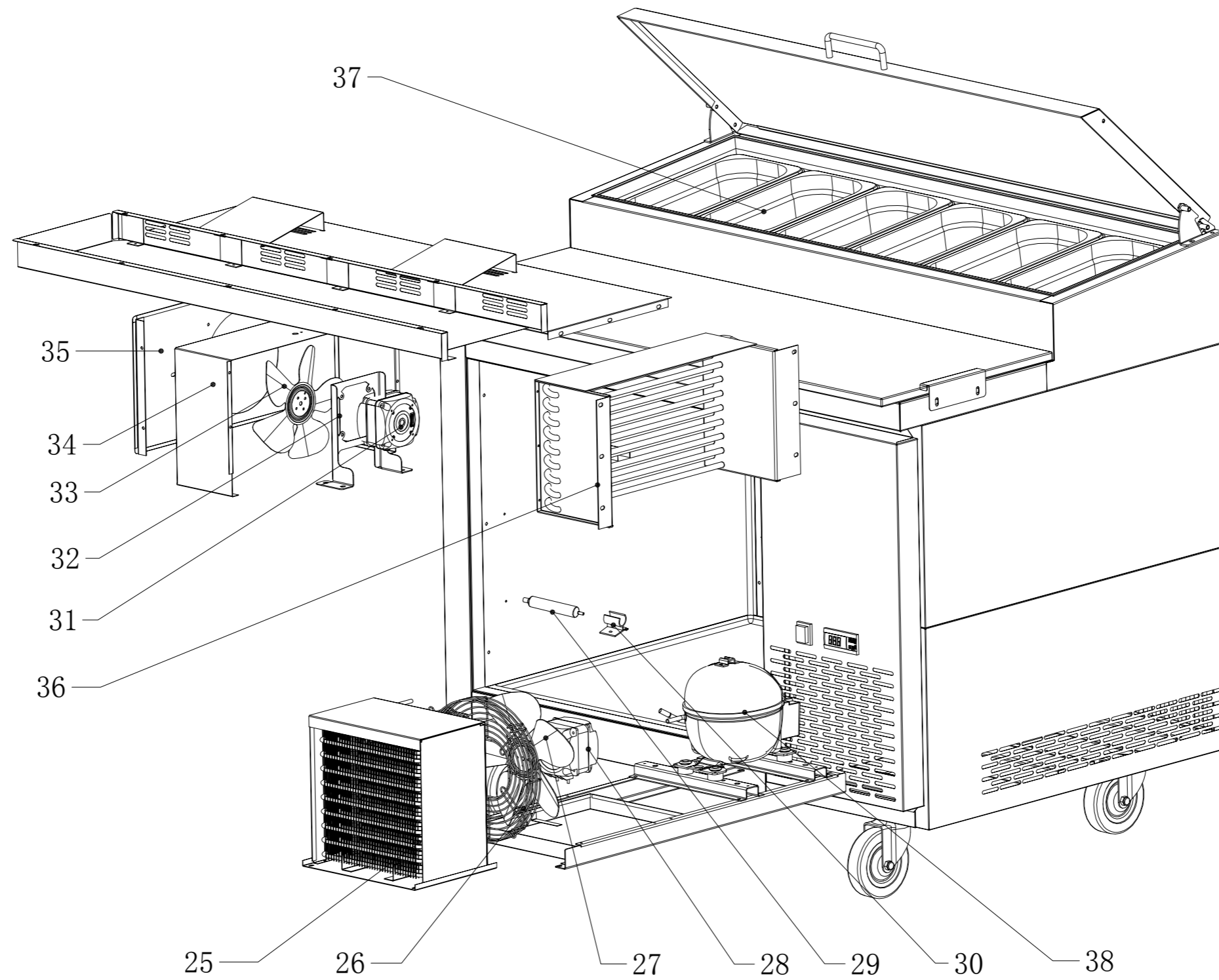


NPT-044-PI



Spare parts list for DPP44



Spare parts list for DPP44

Item NO.	Part NO.	Description	Unit Price (USD)	week/year compiled
1	C0-000-COR00001	Power cord set, NEMA5-15P		27/19
2	C0-000-JBX00001	Junction box		27/19
3	C0-000-FET00002	Castor, 5", no brakes		27/19
4	C0-000-FET00001	Castor, 5", with brakes		27/19
5	C0-000-CTR00001	Digital controller		27/19
6	C0-000-SWT00001	Power switch		27/19
7	C0-000-TSS00001	Temperature sensor		27/19
8	B0-032-GST00001	Door gasket		27/19
9	B0-032-DOR00001	Foam door, right		27/19
10	C0-000-HIG00030	Self-close hinge		27/19
11	C0-000-OTR00022	Axis Guide		27/19
12	A0-032-TCM00001	Control panel		27/19
13	C0-000-KSP00006	K strip, 2 holes		27/19
14	C0-000-KCP00002	Stainless K clap		27/19
15	C0-000-SHE00011	Shelf, grey, PVC coating		27/19
16	C0-000-HIG00017	Hinge, bottom left		27/19
17	C0-000-HIG00015	Hinge, upper left		27/19
18	A0-032-OTR00001	Fixed block for cutting board, right		27/19
19	A0-032-OTR00002	Fixed block for cutting board, left		27/19
20	C0-032-OTR00001	Cutting board for DPP44		27/19
21	C0-000-HIG00019	Pan cover hinge, left		27/19

Spare parts list for DPP44

Item NO.	Part NO.	Description	Unit Price (USD)	week/year compiled
22	A0-032-OTR00003	Pan cover		27/19
23	C0-000-HIG00020	Pan cover hinge, right		27/19
24	C0-032-OTR00003	Pan cover pin		27/19
25	C0-000-COD00012	Wire-type condenser		27/19
26	C0-000-GUA00002	Fan guard, ø230		27/19
27	C0-000-FBE00005	Fan blade ø230		27/19
28	C0-000-FAN00002	Evaporator fan		27/19
29	C0-000-FIL00002	Filter		27/19
30	B0-000-OTR00004	Filter base		27/19
31	C0-000-FAN00001	Evaporator fan		27/19
32	A0-032-OTR-00001	Evaporator fan supporter		27/19
33	C0-000-FBE00003	Fan blade ø200		27/19
34	A0-032-OTR00004	Air duct		27/19
35	A0-032-CFC00001	Cover for evaporator component		27/19
36	C0-000-EVA00010	Evaporator for DPP44		27/19
37	C0-000-OTR00024	GN pan, 1/3 150H		27/19
34	C0-000-COM10001	Compressor for DPP44		27/19