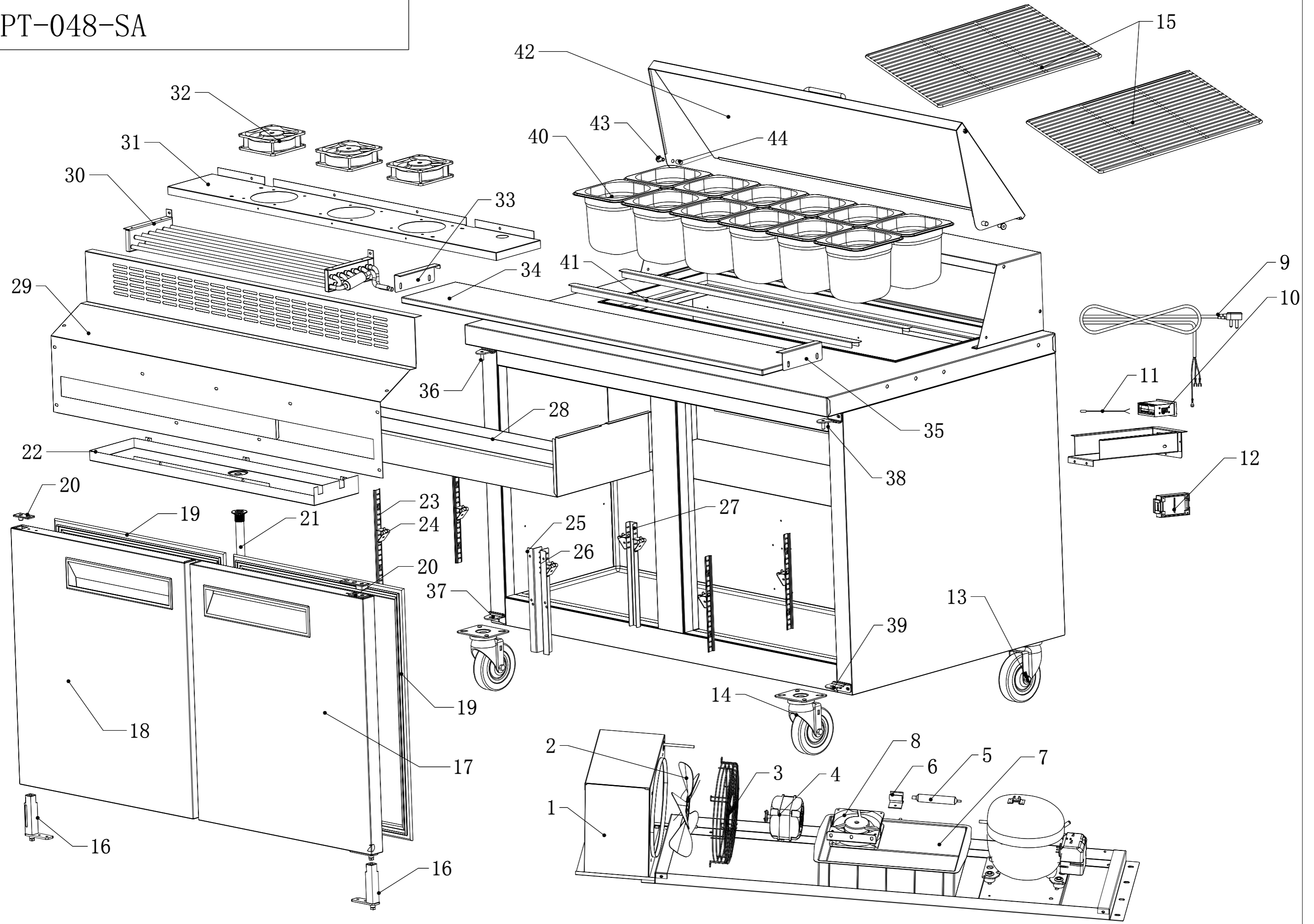


NPT-048-SA



Spare parts list for DSP48

Item NO.	Part NO.	Description	Unit Price (USD)	week/year compiled
1	C0-000-COD00012	Wire-type condenser		27/19
2	C0-000-FBE00005	Fan blade ø230		27/19
3	C0-000-GUA00002	Fan guard, ø230		27/19
4	C0-000-FAN00002	Condenser fan		27/19
5	C0-000-FIL00002	Filter		27/19
6	B0-000-OTR00004	Filter base		27/19
7	C0-000-ODP00004	Outer drain pan		27/19
8	C0-000-FAN00010	Outer drain pan fan		27/19
9	C0-000-COR00001	Power cord set, NEMA5-15P		27/19
10	C0-000-CTR00001	Digital controller		27/19
11	C0-000-TSS00003	Temperature sensor		27/19
12	C0-000-JBX00001	Junction box, ET0301G		27/19
13	C0-000-FET00002	Castor, 5", no brakes		27/19
14	C0-000-FET00001	Castor, 5", with brakes		27/19
15	C0-000-SHE00007	Shelf, grey, PVC coating		27/19
16	C0-000-HIG00030	Self-close hinge		27/19
17	A0-025-DOR00001	Foaming door, right		27/19
18	A0-025-DOR00002	Foaming door, left		27/19
19	B0-025-DOR00001	Door gasket		27/19
20	C0-000-OTR00022	Axis Guide		27/19
21	C0-000-DRT00001	Drain tube		27/19

Spare parts list for DSP48

Item NO.	Part NO.	Description	Unit Price (USD)	week/year compiled
22	A0-025-IDP00001	Inner drain pan		27/20
23	C0-000-KSP00006	K strip, 2 holes		27/19
24	C0-000-KCP00002	Stainless K clap		27/19
25	A0-025-OTR00001	K strip of middle_beam, left		27/19
26	A0-025-OTR00002	K strip of middle_beam, right		27/19
27	A0-025-OTR00003	K strip ,back		27/19
28	A0-025-OTR00004	Disc groove		27/19
29	A0-025-OTR00005	Cover for evap. component		27/19
30	C0-000-EVA00007	Evaporator		27/19
31	A0-025-OTR00006	Fan supporter		27/19
32	C0-000-FAN00010	Evaorator fan		27/19
33	A0-024-OTR00001	Cuting board bracket, left		27/19
34	C0-029-OTR00001	Cuting board for DSP48-12		27/19
34	C0-025-OTR00001	Cuting board or DSP48-18M		27/19
35	A0-024-OTR00003	Cuting board bracket, right		27/19
36	C0-000-HIG00015	Hinge, uppr left		27/19
37	C0-000-HIG00017	Hinge, uppr right		27/19
38	C0-000-HIG00016	Hinge, uppr right		27/19
39	C0-000-HIG00018	Hing, bottom right		27/19
40	C0-000-OTR00023	GN pan, 1/6, H150, with cover		27/19
41	A0-029-OTR00001	GN pan supportor		27/19

Spare parts list for DSP48

Item NO.	Part NO.	Description	Unit Price (USD)	week/year compiled
42	A0-029-OTR00002	Pan cover for DSP48-12		27/19
42	A0-025-OTR00007	Pan cover for DSP48-18M		27/19
43	C0-024-OTR00003	Pan cover hinge pin		27/19
44	C0-024-OTR00004	Limit tube for pan cover		27/19
45	C0-000-COM10001	Compressor for DSP48		27/19